

Technical Data

For detailed data and product description refer to the data sheets at www.pepperl-fuchs.com

General Data

Rated operating distance	1.5 mm
Installation	flush
Type of voltage	DC
Operating voltage	5 ... 60 V
Reverse polarity protection	tolerant
Switching frequency	0 ... 1200 Hz
Operating current	2 ... 100 mA
Short-circuit protection	pulsing
Indication of the switching state	LED, yellow
Ambient temperature	-25 ... 70 °C (-13 ... 158 °F)
Housing material	Stainless steel 1.4305 / AISI 303
Protection degree	IP67



Properties

- Ø8 mm housing
- 1.5 mm, flush mountable
- DC, 2-wire switching output
- Cable and connector versions

Further Products

In this series, we offer additionally:

NBB1-8GS50-Z0-T

Rated operating distance: 1 mm
 Installation: flush
 Switching element function: DC, NO
 Operating voltage: 15 ... 34 V
 Ambient temperature: -25 ... 100 °C (-13 ... 212 °F)
 Housing material: Stainless steel 1.4305 / AISI 303
 Connection type: cable PUR , 2 m

Model Number

			NBB1,5-8GM40-Z0	NCB1,5-8GM40-Z0	NCB1,5-8GM40-Z1	NCB1,5-8GM50-Z0-V3	NCB1,5-8GM50-Z1-V3
Switching element function	DC NO	DC NC		●	●	●	●
Connection type	Device connector M8 x 1 , 3-pin	cable PUR , 2 m		●	●	●	●

Approvals and Certificates

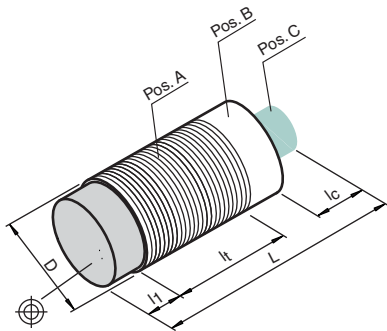
UL approval	cULus Listed, General Purpose	●	●	●	●	●
CSA approval	cCSAus Listed, General Purpose	●	●	●	●	●
CCC approval	Certified by China Compulsory Certification (CCC)	●	●	●	●	●

Dimensions

Length L [mm]		40	51
Diameter D [mm]		8	
Thread length l _t [mm]		40	48
Cap length l ₁ [mm]		0	
Connector area l _c [mm]		0	6
LED position		Pos. C	

Accessories This and more accessories can be found in chapter 10

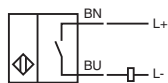
BF 8	Mounting flange, 8 mm	See pages 1068 ... for mounting aids
EXG-08	Quick mounting bracket with dead stop	
V3-GM	Female connector, M8, 3-pin, field attachable	
V3-GM-2M-PUR	Cable socket, M8, 3-pin, PUR cable	
V3-WM-2M-PUR	Cable socket, M8, 3-pin, PUR cable	



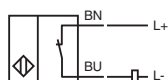
Electrical Connection



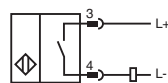
NBB1,5-8GM40-Z0
 NCB1,5-8GM40-Z0
 NBB1-8GS50-Z0-T



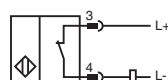
NCB1,5-8GM40-Z1



NCB1,5-8GM50-Z0-V3



NCB1,5-8GM50-Z1-V3



Wire colors in accordance with EN 60947-5-2

- 1 | BN (brown)
- 3 | BU (blue)
- 4 | BK (black)